

EXPLORE THE ART OF **GARDEN** ENHANCEMENT



CATALOGUE
SICHTSCHUTZSTREIFEN
PRIVACY STRIPS





BATO FENCE STRIPS

A brief summary of the company and us:

We have been in the plastic and construction products industry for many years, conducting trade with over 70 countries and building valuable relationships with friends and customers in each one.

Throughout our journey, we have successfully developed and marketed dozens of products. As we achieved our goals and received feedback that exceeded all expectations, we decided to expand our product range to cater specifically to the construction and home renovation sectors, with a primary focus on tiling products.

Our company comprises dedicated individuals with 10 years of experience in the Plastic and Fence industry. We firmly believe that we have a lot to offer to the industry. We understand that methods may vary, and we continuously strive to learn, improve our work, and make application easier and more profitable on a daily basis.

Our company's growth can be attributed to our solid work ethic, commitment to delivering quality products, and friendly service.

Bato Trade Team



FENCE STRIPS

"Offers You the Perfect Solution for Organizing Your Garden"

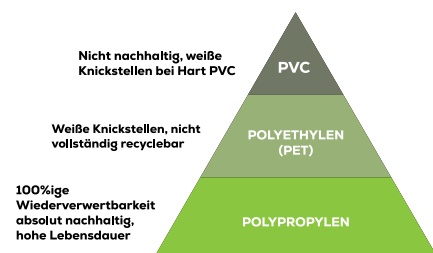
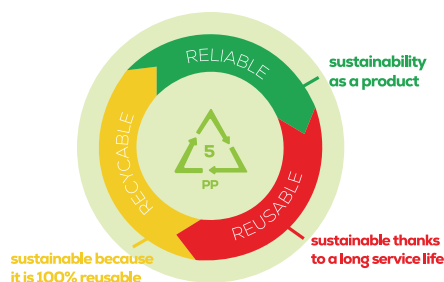
Bato Fence, made of high quality polypropylene, are resistant to sunlight and frost, they require no maintenance and retain their vibrant colors for a long time. With quick and easy assembly, you can quickly refresh and beautify your garden.

Product Features

- ▶ **Polypropylene Material:** Made of durable and eco-friendly polypropylene material.
- ▶ **UV Resistance:** Resistant to sunlight, colors do not fade or wear out.
- ▶ **Frostproof:** Unaffected by frost, maintains durability even in cold weather conditions.
- ▶ **No Maintenance Required:** Requires no special maintenance, easy to clean, and long-lasting.
- ▶ **Durable Colors:** Colors remain vibrant for a long time without fading.
- ▶ **Quick and Easy Assembly:** Saves time and effort with its quick and easy assembly feature.
- ▶ Reinforce your garden fences with **Fence** and give them an aesthetic appearance.

ADVANTAGES OF USING CITPEN

- ✓ UV resistant, do not discolour in the sun
- ✓ Do not require maintenance and impregnants
- ✓ Remain soft and flexible when bent
- ✓ Easy and quick assembly without the use of specialized tools
- ✓ Frost-resistant, unbreakable in low temperatures
- ✓ Variety of applications (panels, balcony railings, mesh panels)
- ✓ Do not deform in high temperatures
- ✓ Protection against wind and adverse weather conditions
- ✓ Provide an aesthetic appearance on both sides of a fence panel
- ✓ Modern design and various widths



TECHNICAL DATA

MATERIAL	POLYPROPYLENE (PP)
DARKENING	≈100%
APPLICATION	FENCING PANELS, MESH FENCES, BALCONY RAILINGS
WEIGHT	~552 gramm/m ² , ~630 gramm/m ² , 789 gramm/m ²
ASSEMBLY	Assembly without the use of specialized tools
ASSEMBLY	Horizontal mounting



MODERN DESIGNS



CLASSIC LINE



SMART MAT



ORANGE SKIN



BASIC

AVAILABLE WIDTHS



190 mm

1 box	26 m
1 m ²	5 m
1 box	5 m ²



190 mm

1 box	35 m
1 m ²	5 m
1 box	7 m ²



95 mm

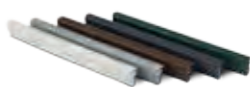
1 box	52 m
1 m ²	10 m
1 box	5 m ²



47,5 mm

1 box	50 m
1 m ²	20 m
1 box	2,5 m ²

MOUNTING CLIPS FOR FENCE STRIPS



STANDART CLIP BTO-229

End profile for panels with wires with a cross-section 4 - 6 mm.



RENETA CLIP BTO-186

End profile for panels with wires with a cross-section 3,5 - 5,5mm.

MOUNTING

How in a quick and easy way turn a garden, terrace or balcony into a private space?



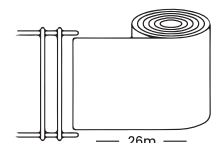
Waive the fence tape onto the panel.



Fasten the tape in the end clip.



Attach the end clip with the fence strip to the panel.



CALCULATION

FENCE STRIPS 190 mm	PANEL SIZE [M X M]				
	2,5 X 1,2	2,5 X 1,4	2,5 X 1,6	2,5 X 1,8	2,5 X 2,0
1	1	1	1	1	1
2	2	2	2	2	2
3	2	3	3	3	3
4	3	3	4	4	4
5	3	4	4	5	5
6	4	5	5	6	6
7	5	5	6	7	7
8	5	6	7	8	8
9	6	7	8	9	9
10	6	7	8	9	10
15	9	11	12	14	15
20	12	14	16	18	20
30	18	21	24	24	30
40	24	28	32	36	40
50	30	35	40	45	50

box 190 mm x 26 m - [5 m²]

FENCE STRIPS 95 mm	PANEL SIZE [M X M]				
	2,5 X 1,2	2,5 X 1,4	2,5 X 1,6	2,5 X 1,8	2,5 X 2,0
1	1	1	1	1	1
2	2	2	2	2	2
3	2	3	3	3	3
4	3	3	4	4	4
5	3	4	4	5	5
6	4	5	5	6	6
7	5	5	6	7	7
8	5	6	7	8	8
9	6	7	8	9	9
10	6	7	8	9	10
15	9	11	12	14	15
20	12	14	16	18	20
30	18	21	24	27	30
40	24	28	32	36	40
50	30	35	40	45	50

box 95 mm x 52 m - [5 m²]

FENCE STRIPS 47,5 mm	PANEL SIZE [M X M]				
	2,5 X 1,2	2,5 X 1,4	2,5 X 1,6	2,5 X 1,8	2,5 X 2,0
1	2	2	2	2	2
2	3	3	4	4	4
3	4	5	5	6	6
4	5	6	7	8	8
5	6	7	8	9	10
6	8	9	10	11	12
7	9	10	12	13	14
8	10	12	13	15	16
9	11	13	15	17	18
10	12	14	16	18	20
15	18	21	24	27	30
20	24	18	32	36	40
30	36	42	48	54	60
40	48	56	64	72	80
50	60	70	80	90	100

box 47,5 mm x 50 m - [2,5 m²]

CLASSIC LINE



MADE OF BEST QUALITY POLYPROPYLENE



RESISTANT TO WEATHER CONDITIONS



RESISTANT TO COLOR DURABILITY, RADIATION



MOUNTING CLIPS



BTO-229

AVAILABLE WIDTHS:



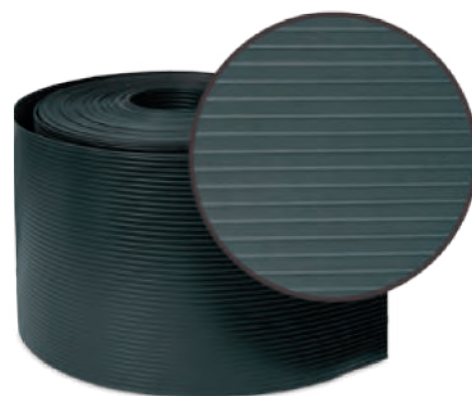
190 mm



95 mm



47,5 mm



CLASSIC LINE FENCE STRIP

PROFILE NAME	WIDTH	THICKNESS	WEIGHT	PACKAGE		INDEX
701	190 mm	1,65 mm	750-770 gramm/m ²	ROLL	26 m	190L.1.65A0026M
				STRIPS	10 x 2,55 m	190L.1.65A2.550M
					10 x 2,53 m	190L.1.65A2.530M
					10 x 2,52 m	190L.1.65A2.520M
706	95 mm	1,65 mm	750-770 gramm/m ²	ROLL	2 x 26 m	95L.1.00.65A0026M
685	47,5 mm	1,3 mm	750-770 gramm/m ²	ROLL	50 m	4.75L.1.00.65A0050M

CLASSIC LINE AVAILABLE RANGE OF COLORS



RAL 9003



RAL 6005



RAL 8011



RAL 7040



RAL 7030



RAL 7016



RAL 900

! Other colors of the tapes are made to order. Colors presented in the catalog may slightly differ from the actual colors.

SMART MATT



AFFORDABLE FOR EVERYONE



MADE OF BEST QUALITY POLYPROPYLENE

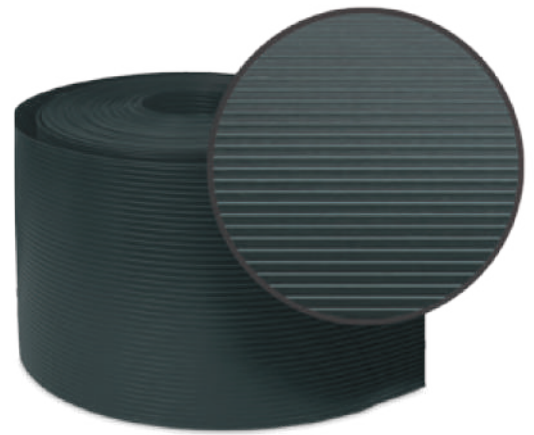


RESISTANT TO WEATHER CONDITIONS

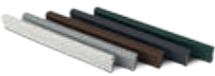


RESISTANT TO COLOR DURABILITY, RADIATION

10 YEARS WARRANTY



MOUNTING CLIPS



BTO- 229

AVAILABLE WIDTHS:



190 mm

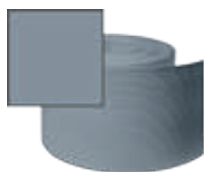
SMART MATT FENCE STRIP

PROFILE NAME	WIDTH	THICKNESS	WEIGHT	PACKAGE		INDEX
K11	190 mm	1,1 mm	770-790 gramm/m ²	ROLL	26 m	190L.1.1A0026M

SMART MATT AVAILABLE RANGE OF COLORS



RAL 6005



RAL 7040



RAL 7016



RAL 900

! Other colors of the tapes are made to order. Colors presented in the catalog may slightly differ from the actual colors.

ORANGE SKIN



MADE OF BEST QUALITY
POLYPROPYLENE



RESISTANT TO
WEATHER CONDITIONS

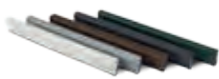


RESISTANT TO COLOR
DURABILITY, RADIATION

**10 YEARS
WARRANTY**



MOUNTING CLIPS:



BT0- 229



BT0- 186



190 mm

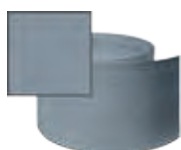
AVAILABLE WIDTHS:

ORANGE SKIN FENCE STRIP						
PROFILE NAME	WIDTH	THICKNESS	WEIGHT	PACKAGE		INDEX
K08	190 mm	0,85 mm	580-600 gramm/m ²	ROLL	26 m	190L.0.85.P0026M
K12	190 mm	1,20 mm	580-600 gramm/m ²	ROLL	26 m	190L.1.20.P0026M
				STRIPS	10 x 2,55 m	190L.1.20.P2.550M

ORANGE SKIN AVAILABLE RANGE OF COLORS



RAL 6005



RAL 7040



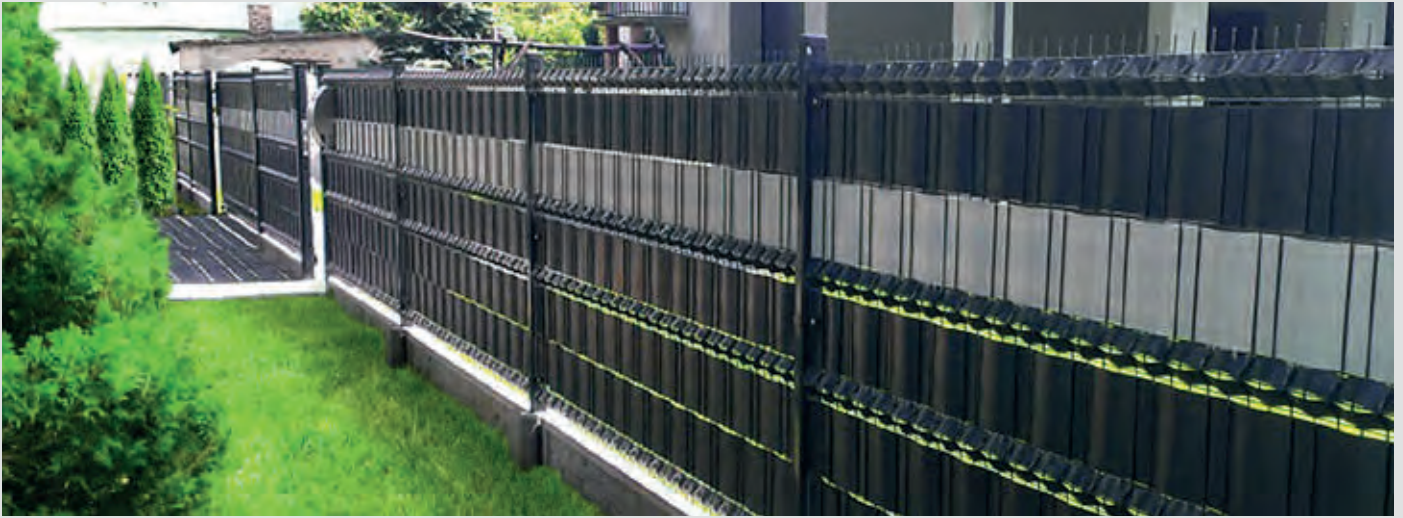
RAL 7016



RAL 900

! Other colors of the tapes are made to order. Colors presented in the catalog may slightly differ from the actual colors.

BASIC



AFFORDABLE FOR EVERYONE



MADE OF BEST QUALITY POLYPROPYLENE



RESISTANT TO WEATHER CONDITIONS



RESISTANT TO COLOR DURABILITY, RADIATION

10 YEARS WARRANTY



MOUNTING CLIPS



BT0- 186

AVAILABLE WIDTHS:



190 mm

BASIC FENCE STRIP

PROFILE NAME	WIDTH	THICKNESS	WEIGHT	PACKAGE		INDEX
K06	190 mm	0,65 mm	550-570 gramm/m ²	ROLL	26 m	190L.0.65.P0026M
				PE SLEEVE	50 m	190L.0.65.P0050M
					35 m	190L.0.65.P0035M
				SET	50 m	190L.0.65.P0050M

BASIC AVAILABLE RANGE OF COLORS



RAL 9003



RAL 6005



RAL 8011



RAL 7040



RAL 7016



RAL 900

! Other colors of the tapes are made to order. Colors presented in the catalog may slightly differ from the actual colors.

SIMPLE LINE SYSTEM



AFFORDABLE FOR EVERYONE



MADE OF BEST QUALITY POLYPROPYLENE

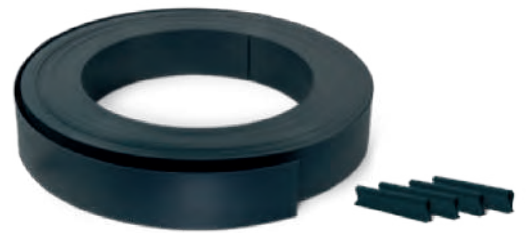


RESISTANT TO WEATHER CONDITIONS



RESISTANT TO COLOR DURABILITY, RADIATION

10 YEARS WARRANTY



TECHNICAL DATA

Material	Polypropylene (PP)
Darkening	≈100%
Application	2D and 3D panels
Weight	550-570 gramm/m ² , 580-600 gramm/m ²
Assembly	assembly without the use of specialized tools
Assembly	vertical assembly

PACKAGE

60 m of fence tape
+100 end clips

SIMPLE LINE - BASIC SYSTEM

PROFILE NAME	WIDTH	THICKNESS	WEIGHT	PACKAGE		INDEX
SL.C06	44 mm	0,65 mm	550-570 gramm/m ²	ROLL	60 m	SL.C44.0.65.0060M
	48 mm			ROLL	60 m	SL.C48.0.65.0060M
	50 mm			ROLL	60 m	SL.C50.0.65.0060M
	55 mm			ROLL	60 m	SL.C55.0.65.0060M

SIMPLE LINE - ORANGE SKIN SYSTEM

PROFILE NAME	WIDTH	THICKNESS	WEIGHT	PACKAGE		INDEX
SL.K08	44 mm	0,85 mm	580-600 gramm/m ²	ROLL	60 m	SL.K44.0.85.0060M
	48 mm			ROLL	60 m	SL.K48.0.85.0060M
	50 mm			ROLL	60 m	SL.K50.0.85.0060M
	55 mm			ROLL	60 m	SL.K55.0.85.0060M

! Other colors of the tapes are made to order. Colors presented in the catalog may slightly differ from the actual colors.

► MODERN DESIGN



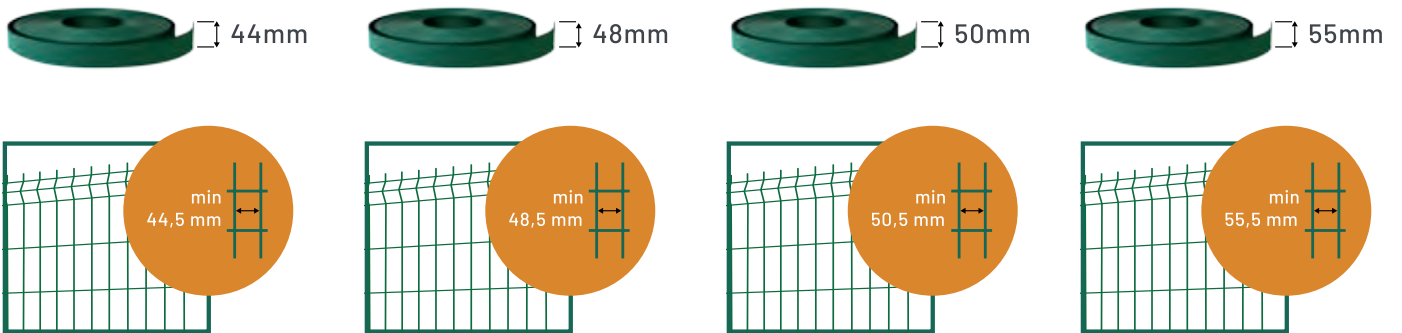
► COLORS



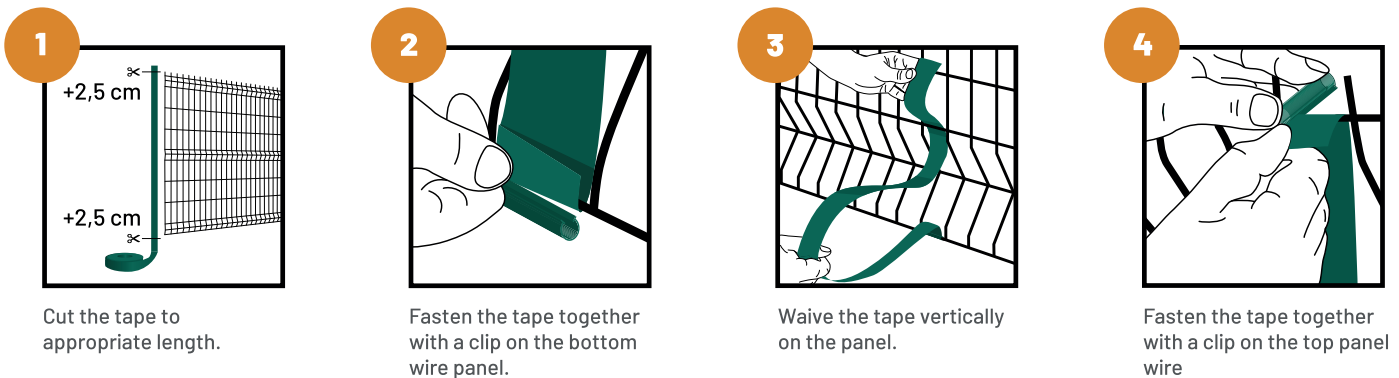
► MOUNTING CLIPS



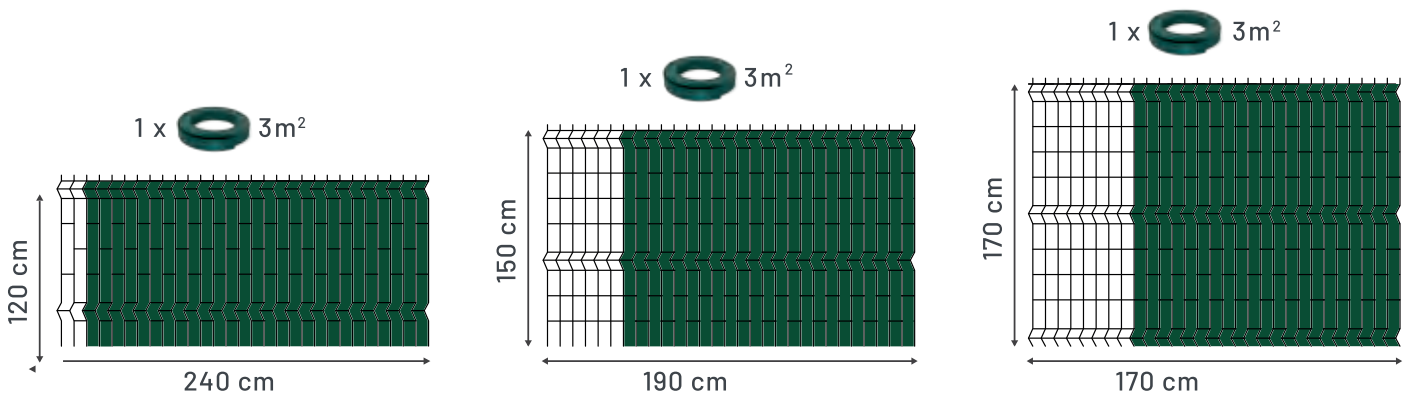
► AVAILABLE WIDTHS



► FAST AND EASY ASSEMBLY



► QUICK CALCULATION



! Other colors of the tapes are made to order. Colors presented in the catalog may slightly differ from the actual colors.

FENCE PRO

Why Fence Pro?

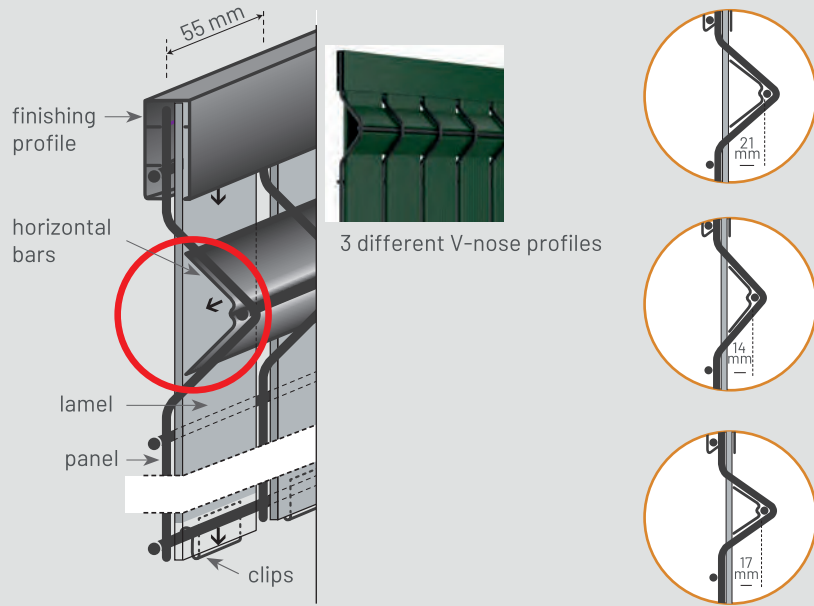
10 YEARS WARRANTY

- ▶ **Visuality:** FencePro fences add an aesthetic touch to your garden with their modern and stylish designs. It allows you to create a harmonious style with different color options. It creates a impressive display by blending perfectly with other elements in your garden.
- ▶ **Garden Privacy:** FencePro provides privacy by protecting your garden from the outside world. The height and density of the fence protect you from prying eyes and external factors. Now you can live your special moments comfortably in your garden and get away from the outside world.
- ▶ **Sound Insulation:** The dense structure provided by FencePro provides sound insulation in your garden. It creates a calm and peaceful environment by reducing the noise coming from outside. You can have pleasant conversations in your garden and communicate comfortably with your children while playing games.
- ▶ **Cutting the Wind:** Thanks to its solid structure, FencePro protects your garden by cutting the wind. It provides resistance to strong winds, especially in open areas. Thus, it maintains the order of your garden and protects your plants from the negative effects of the wind.



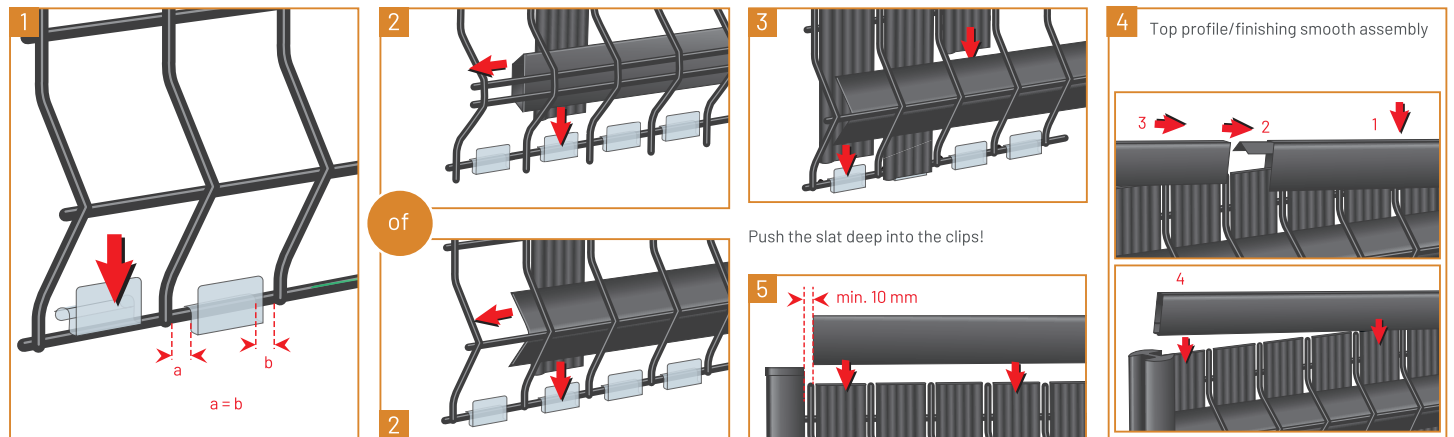
SYSTEM & HORIZONTAL LENGTH

► Fence Pro is suitable for panels with a mesh width of 55 mm. However, also pay attention to its nose profile, of which there are 3 versions.



A kit contains all accessories for a 2 m or 2.5 m panel blinding: all slats, clips, nose profiles and the top profile.

MOUNTING



TIP FOR INSTALLING TOP PROFILE



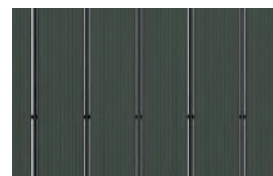
Bambou



White



Green



Anthracite



B A T O

CONTACT US

+90 541 938 34 41

info@batotrade.com

www.batotrade.com

Kurtköy Mah. Ankara Cad. Yelken Plaza 289/21
Pendik - Istanbul

Follow us on social media

@batotrade