

BATO PEDESTALS

ADJUSTABLE AND FIXED



**Product
Catalogue**

2024

CONTENTS

Index	Page
ABOUT US	2
SCOPE OF APPLICATION	5
OUR COMMITMENTS	6
OUR STRENGTHS	7
PEDESTALS	8
BPX SERIES PRODUCT CODES	9
BP SERIES	10
BP SERIES PRODUCT CODES	11
BP SERIES INSTALLATION STEPS	12
BPS SERIES	13
BPS SERIES PRODUCT CODES	14
BPS SERIES INSTALLATION STEPS	15
BPF SERIES	16
BPF SERIES PRODUCT CODES	17
BPF SERIES INSTALLATION STEPS	18
BA SERIES ACCESSORIES	19
PDX SERIES PADS	20
PCX SERIES PADS	21
EXPANDERS	22
OUR COSTUMER NETWORK	23

ABOUT US

Bato Pedestal, was founded to specialize in providing innovative flooring solutions tailored to meet customer demands. With a strong foundation in Product Design & Engineering and extensive experience in the construction sector, we offer a diverse range of pedestal products crafted from recycled materials. As an integral part of our group, we deliver comprehensive services throughout the entire product lifecycle, from initial design to final implementation. Our skilled team, backed by over **10** years of industry experience, ensures exceptional quality and performance in every project.



BATO

FIXED AND ADJUSTABLE PEDESTAL PRODUCTS FOR RAISED FLOORING SYSTEMS



ESTABLISHMENT

2021

Bato Pedestal is a company established in ISTANBUL, specializes in the design and production of high-quality pedestal products.



FAIR PROMOTIONS

2022

Despite being in our early years, we have successfully expanded our product range through robust R&D capabilities and have actively participated in numerous domestic and international trade fairs.



FIRST EXPORT

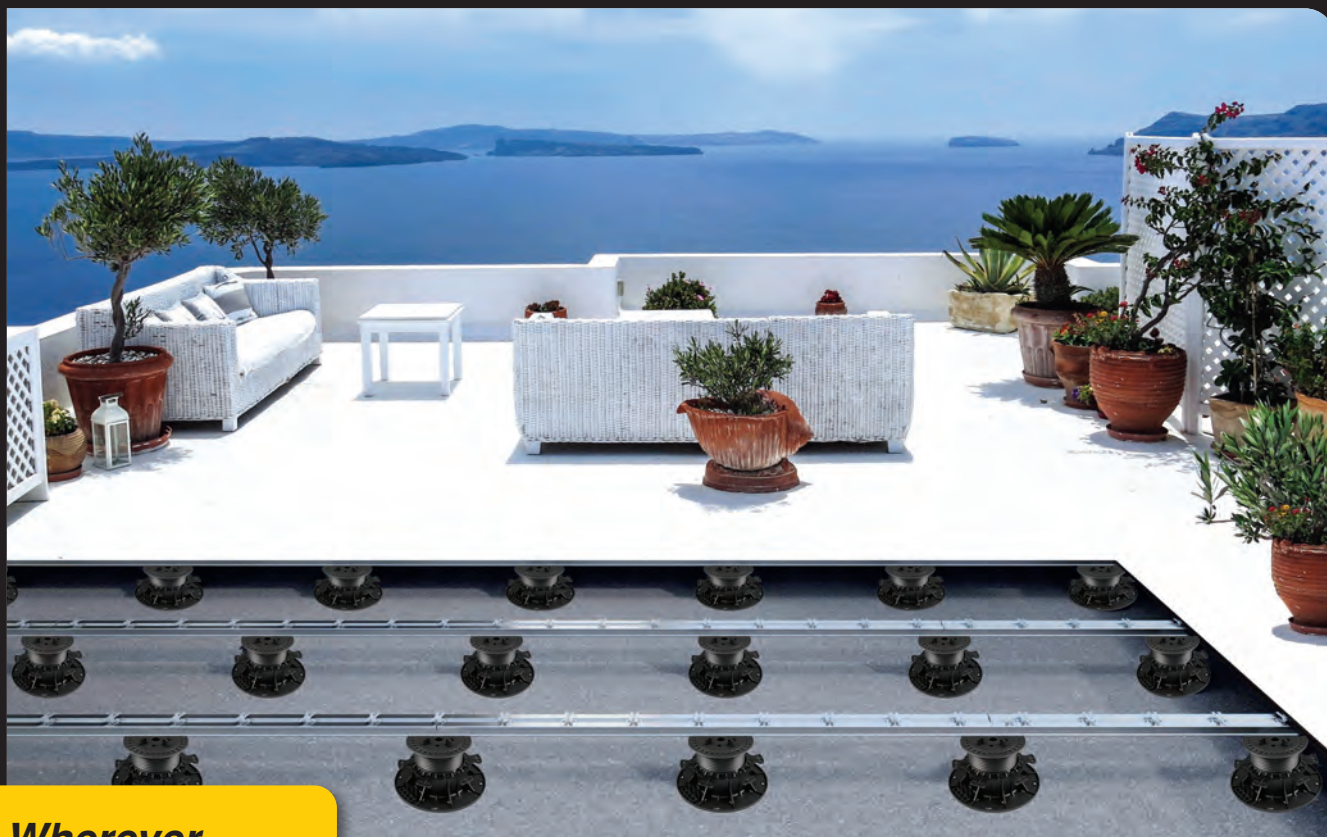
2023

At Bato Pedestal, following our initial export, we started providing solutions tailored to meet our customers' requests.



BATO

SCOPE OF **APPLICATION**



*Wherever
You Need It*



OUR COMMITMENTS

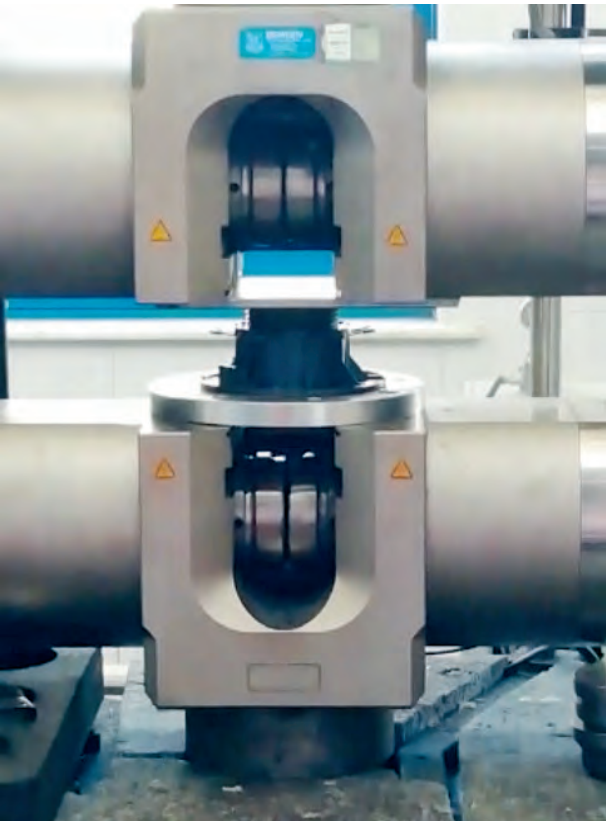


PRODUCTION CAPACITY

We have an annual production capacity of 3,600,000 units, supported by 11 injection machines, 6 vertical machining centers, and 5 erosion machines in our production facility.

100% RECYCLING

We prioritize environmental sustainability by sourcing the raw materials for our products from recycled plastics.



ALWAYS QUALITY

We believe that quality extends beyond the product itself. That's why we are committed to enhancing our work environment. Our dedication to quality is reinforced by our international ISO9001 and ISO14001 certifications, ensuring sustainable practices across our operations.



International
Organization for
Standardization

ISO 9001
ISO 14001

TEST AND CONTROL

Our products undergo rigorous testing in accredited laboratories. We maintain transparency by sharing detailed test results with our customers.

OUR STRENGTHS



Adjustable from **21mm to 902mm**



Efficient and straightforward setup



The wide pedestal **top ensures** high stability



Conceal technical equipment



Suitable for **waterproofing** membranes



Open connections reduce the risk of cracking compared to closed connections, facilitating easier water drainage.



Diverse selection of accessories for patio covering.



A sustainable flooring solution



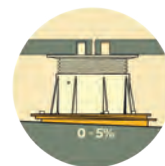
100% **recyclable**



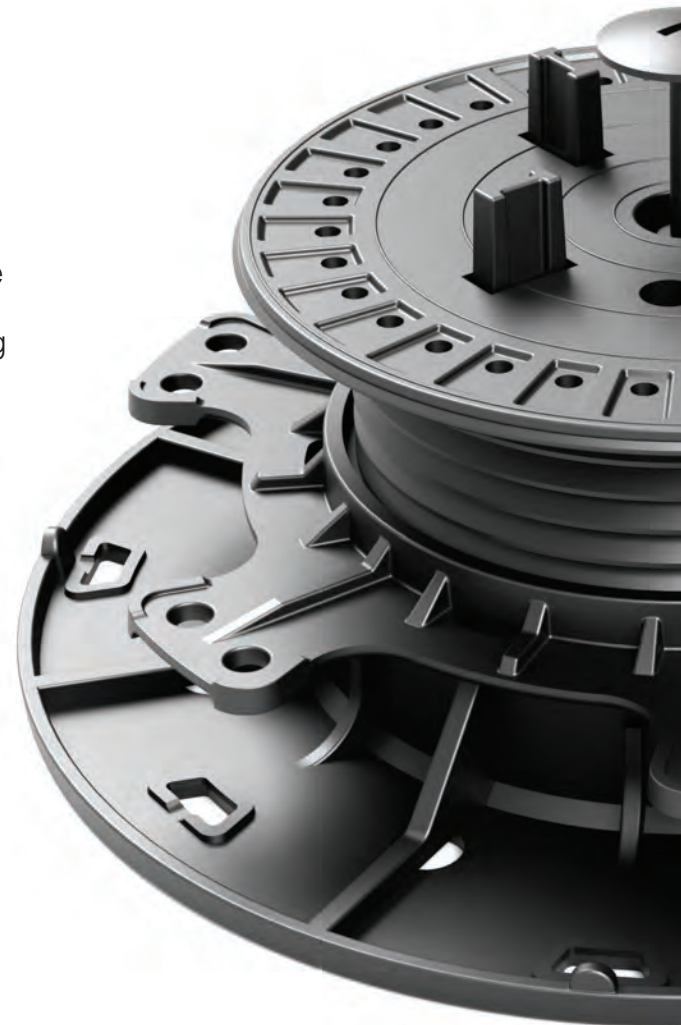
High load resistance



Thermal and acoustic **insulation**



Simple and accurate tilt adjustment of up to **5%**





CERTIFIED ISO 9001 ISO 14001

PEDESTAL SERIES

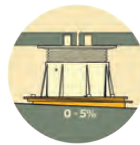
BP SERIES



Adjustable height pedestal series



BPS SERIES



Adjustable angle and height pedestal series



BPF SERIES



Fixed-height pedestal series



PRODUCT CODES

BPX / XX / XX

JOINT



HEIGHT



PEDESTAL SERIES

- BP Series
- BPS Series
- BPF Series

BP SERIES

BP-XX-XXX

- Pedestals designed for adjustable heights.
- Suitable for all types of usage areas with replaceable joints.
- A comprehensive solution for all your needs with extensive accessory support



BP-21-27

BP-27-40

BP-40-64

BP-64-110

BP-110-202



FIELDS OF APPLICATION

- Ceramic Floors
- Wooden Floors
- WPC Composite Floors
- Natural Stone Floors
- Terrazzo Floors

BP SERIES **PRODUCT CODES**

BPX / XX / XX



JOINT

- Joint (only stone floors)

Fixed : **JX**



Joint Thickness
2-3-4-5 (mm)



- Carcass (only wooden floors)

Fixed : **CX**



Carcass Type
CT: Whole Type
CY: Half Type



HEIGHT

- **01** 21-27 mm
- **02** 27-40 mm
- **03** 40-64 mm
- **04** 64-110 mm
- **05** 110-202 mm

BP SERIES INSTALLATION STEPS

1



NUT

NUT

Attach the nuts to the lower body.



LOWER BODY
(BP-21-27-XX)



LOWER BODY
(BP-110-202-XX)

2

Turn the nuts in the direction of the arrow and lock them.



BOTTOM ASSEMBLY
(BP-21-27-XX)



BOTTOM ASSEMBLY
(BP-110-202-XX)

3



UPPER BODY
(BP-21-27-XX)



UPPER BODY
(BP-110-202-XX)

Combine the upper body with the bottom assembly.



BOTTOM ASSEMBLY
(BP-21-27-XX)



BOTTOM ASSEMBLY
(BP-110-202-XX)

4

Rotate the upper body to your desired height.

If you are using interlocking joints. Attach the joint to the upper body



(BP-27-40-JP3)



(BP-110-202-J3)

BPS-XX-XXX

- Pedestals designed for adjustable heights up to 7 degrees.
- Suitable for all types of usage areas with replaceable joints.
- With extensive accessory support, a permanent solution for all your needs in one go.



BPS-40-64-D3

FIELDS OF APPLICATION

- Aluminum Profiles
- Ceramic Floors
- Wooden Floors
- WPC Composite Floors
- Natural Stone Floors
- Terrazzo Floors



BPS-40-64-P3

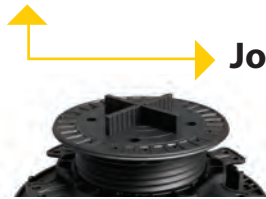


BPS SERIES **PRODUCT CODES**

BPS / XX / XX

JOINT

- Joint (only stone floors)

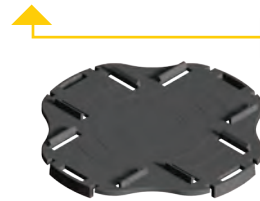


Joint Plus : **JPX**

Joint Thickness
2-3-4-5 (mm)



- Profile (only aluminium profiles)



Spacer : **PH**

Profile Width
40-50 (mm)

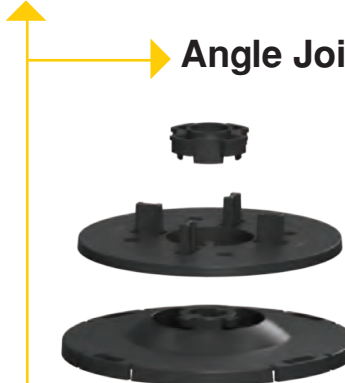
- Carcass (only wooden floors)



Spacer : **FH**

Carcas

- Angel Joint & Profile



Angle Joint : **BPS-DX**

Joint Thickness
2-3-4-5 (mm)



Angle Profile : **BPS-PX**

Profile Width
40 (mm)



HEIGHT

- **01** 21-27 mm
- **02** 27-40 mm
- **03** 40-64 mm
- **04** 64-110 mm
- **05** 110-202 mm



BPS SERIES INSTALLATION STEPS

1



DISASSEMBLED
(BPS-40-64-D3)

DISASSEMBLED
(BPS-40-64-P4)

2

Assemble the lower parts.



BOTTOM ASSEMBLY
(BPS-40-64-XX)

BOTTOM ASSEMBLY
(BPS-40-64-XX)

3

Assemble the upper parts together.



TOP ASSEMBLY
(BPS-40-64-D3)

TOP ASSEMBLY
(BPS-40-64-P3)

4

Using the locking apparatus, secure the upper parts to lower parts.



BPS-40-64-D3)

BPS-40-64-P3)

BPF SERIES

BPF-XX-XXX

- Single-piece pedestal designed for fixed heights
 - Easy application.
 - Fixed product at standard heights.
 - Available in standard size of 13 mm and 10 mm.
- Please contact us for different sizes.

FIELDS OF APPLICATION

- Ceramic Floors
- Natural Stone Floors
- Terrazzo Floors



KPF-13-D3

h: 13 mm

3 mm Joint Thickness



BPF SERIES **PRODUCT CODES**

BPF / 13 / XX

HEIGHT
• 13 mm

JOINT

• Joint (only stone floors)

Fixed: DX



Joint Thickness
2-3-4-5 (mm)

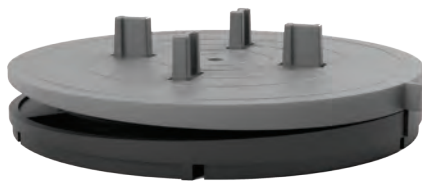
BA-SC-JX (Up to 5°)

JOINT

• Joint (only stone floors)

Fixed: JX

Joint Thickness
2-3-4-5 (mm)



BPF / 10 / XX

HEIGHT
• 5 mm
it can be increased to the desired height.

JOINT

• Joint (only stone floors)

Spacer: SX

Joint Thickness
2-3-4-5 (mm)



• Profile (only aluminium profiles)

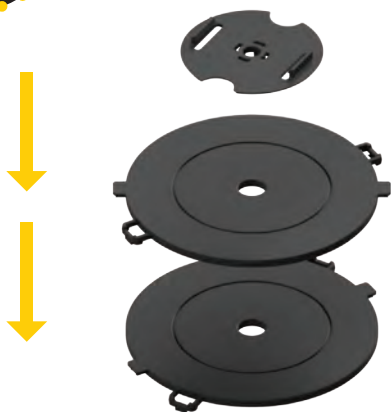
Fixed: PFX

Profile Width
50 (mm)



BPF SERIES **INSTALLATION STEPS**

1



DISASSEMBLED



DISASSEMBLED

Install the type of joint you want to use by fitting it into place.

Stack and combine your SX or BPF products.

2



BPF-10-PF3

3



BPF-10-S3

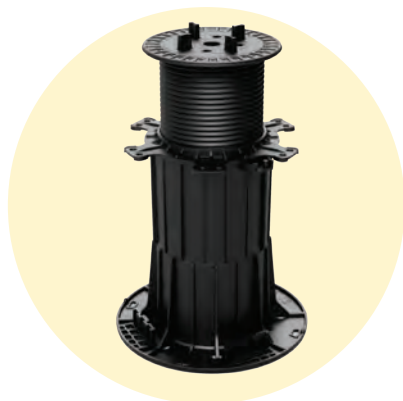
ACCESSORY SERIES

BA-XX...

PXX SERIES

PADS

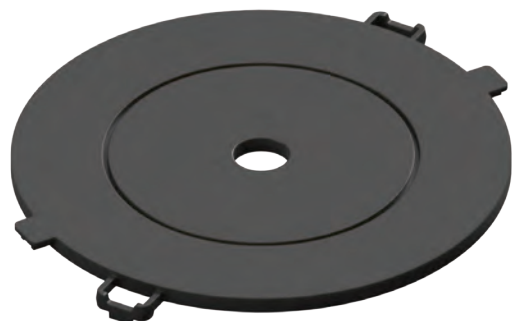
Soundproofing, angular and flat type PVC pads for your pedestals.



EX SERIES

EXTENDERS

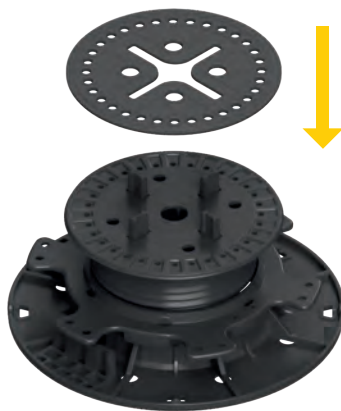
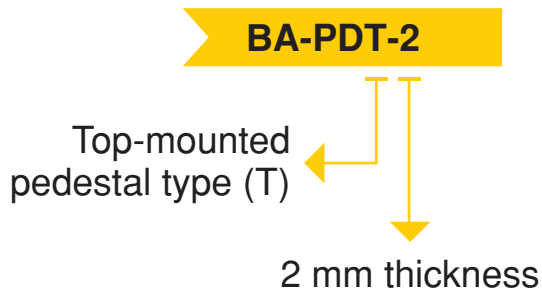
Attachments for further increasing the height of your pedestals.



PDX SERIES

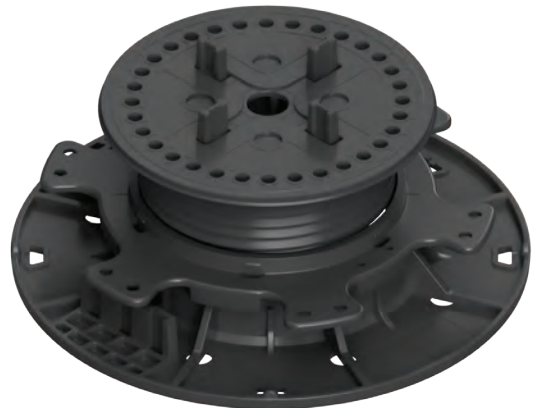
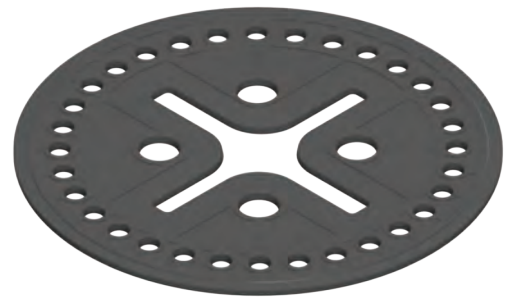
KA-PDX-...

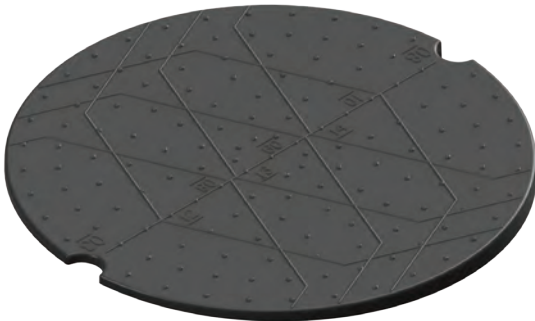
- Placed between the pedestals and the flooring material, these soft PVC pads dampen sound and eliminate slipping.
- Can be placed on either the bottom or top side of your pedestals.
- 2 mm standard thickness.



FIELDS OF APPLICATION

- Noise Reduction
- Uneven Floors
- Vibration Reduction

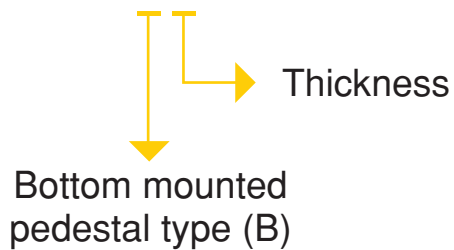




BA-PCX-...

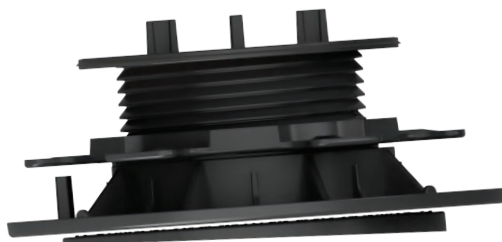
- Angular PVC pads that can be added to either the bottom or top side of the pedestals.
- Fixed standard angle of 2 degrees.
- They can be customized by cutting them to the desired size.

BA-PCB-8



FIELDS OF APPLICATION

- Noise Reduction
- Uneven Floors
- Vibration Reduction



EXTENDERS

BA-EX-XXX

- A range of riser products crafted to achieve the required height for pedestals.
- Compatible with KP and KPS Series pedestals.
- Standard size is 100mm. Contact us for customized requirements.
- 5mm risers designed for the KPF Series can be stacked to reach the desired height.



KP-110-202



NUT



BP-27-40



BP-40-64



BA-EX-100



PFX



BP-21-27



NUT



NUT



BA-EX-100



BA-PFB-05



NUT



BA-EX-100



BA-EX-100



BA-EX-100



BA-PFB-05



BP-21-27



BP-27-40



BP-40-64



BP-110-202



BA-PFB-05

21-27 mm

127-140 mm

140-164 mm

410-502 mm

15 mm

11 countries



Our global presence is a reflection of the trust we provide to our customers through our high-quality services and products.

	Parcel 60x40x47,5	Palette 100x120	Truck	40" HQ Container	20" HQ Container
BP-21-27 (Joint/Carcass)	126 (60)	3,150	81,900	66,150	31,500
BP-27-40 (Joint/Carcass)	96 (52)	2,400	62,400	50,400	24,000
BP-40-64 (Joint/Carcass)	66	1,650	42,900	34,650	16,500
BP-64-110 (Joint/Carcass)	42	1,050	27,300	22,050	10,500
BP-110-202 (Joint)	32	800	20,800	16,800	8,000
BP-110-202 (Carcass)	30	750	15,750	19,500	6,000
BPS-21-27	126	3,150	81,900	66,150	31,500
BPS-27-40	96	2,400	62,400	50,400	24,000
BPS-40-64	66	1,650	42,900	34,650	16,500
BPS-64-110	42	1,050	27,300	22,050	10,500
BPS-110-202	32	800	20,800	16,800	8,000
BA-EX-100	24	600	15,600	12,600	6,000

	Parcel 40x40x40	Palette 80x120	Truck	40" HQ Container	20" HQ Container
JPX (Joint Plus 3-4-5mm)	600.00	21,600	712,800	518,400	237,600
FH (Frame Holder)	800.00	28,800	950,400	691,200	316,800
PH (Profile Holder 50mm)	300.00	10,800	356,400	259,200	118,800
BPS-DX (Angle Joint)	50.00	1,800	59,400	43,200	19,800
BPS-PX (Angle Profile)	50.00	1,800	59,400	43,200	19,800
BPF-10-P	65.00	2,340	77,220	56,160	25,740
BPF-10-S	65.00	2,340	77,220	56,160	25,740
BPF-13	80.00	2,880	95,040	69,120	31,680
BA-PFB-05	320.00	11,520	380,160	276,480	126,720

	Parcel 40x30x25	Palette 80x120	Truck	40" HQ Container	20" HQ Container
BA-PDT-2	700	17,500	455,000	367,500	175,000
BA-PCB-8	155	5,580.00	184,140.00	133,920.00	61,380.00



BATO DIŐ TİCARET LİMİTED ŐİRKETİ

Kurtkoy Mah. Ankara Cad. Yelken Plaza, B Blok 2nd. Floor
Pendik, İstanbul - TÜRKİYE Tel: +90 541 938 34 41

info@batotrade.com



www.batotrade.com